

Ductile Iron Gate Valves PN25/350PSI

Non-Rising Stem, Resilient Wedge, Epoxy Coating
Design to BS5150 and MSS SP-70
Flange Dimension EN1092-2, ANSI B16.1 Class 250

Hydraulic Pressure Test	
Body	3.75Mpa/37.5Bar
Seat	2.75Mpa/27.5Bar

Sealing Performance	
EPDM	-20°C- 120°C
NBR	-10°C- 80°C

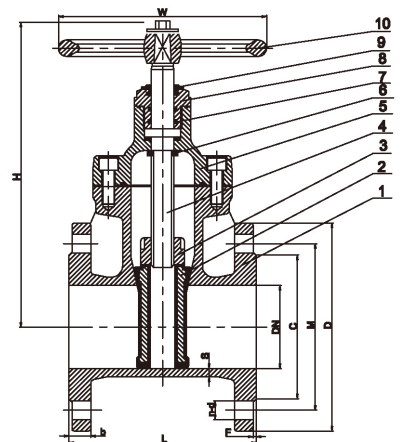


FG975-EN

1 1/2" - 16"

Materials List

No	Part	Specification	BS EN	ASTM
1	Body	Ductile Iron	BSEN 1563	A536 65-45-12
2	Disc	Ductile Iron Coated With EPDM	BSEN 1563	A536 65-45-12
3	Stem Nut	Brass	12164 CW603N	B16
4	Stem	Stainless Steel	BS970 420S37	A5276 42000
5	Bonnet	Ductile Iron	BSEN 1563	A536 65-45-12
6	Gasket	Rubber	NBR	NBR
7	O-ring	Rubber	NBR	NBR
8	Gland	Brass	12164 CW603N	B16
9	Dust Cover	Rubber	NBR	NBR
10	Handwheel	Ductile Iron	BSEN 1563	A536 65-45-12



* Fire protection water supply, drainage and water supply and non-corrosive gas

Dimensions-Weights

mm	40	50	65	80	100	125	150	200	250	300	350	400
In	1½	2	2½	3	4	5	6	8	10	12	14	16
L	165	178	190	203	229	254	267	292	330	356	381	406
H	260	270	283	311	352	435	485	520	632	745	835	953
C	88	102	122	138	162	188	218	278	335	395	450	505
D	150	165	185	200	235	270	300	360	425	485	555	620
M	110	125	145	160	190	220	250	310	370	430	490	550
S	8	8	8	9	10	11	12	14	16	18	19	20
b	19	19	19	19	19	19	20	22	24.5	27.5	30	32
f	3	3	3	3	3	3	3	3	3	4	4	4
W	160	180	180	200	250	280	300	350	400	500	600	600
n-d	4-19	4-19	8-19	8-19	8-23	8-28	8-28	12-28	12-31	16-31	16-34	16-37
Weight	Lbs	20	22	26	35	55	82	106	168	247	342	646
	Kg	9	10	12	16	25	37	48	76	112	155	293